

FILTRI PER GASOLIO

serie **20200**

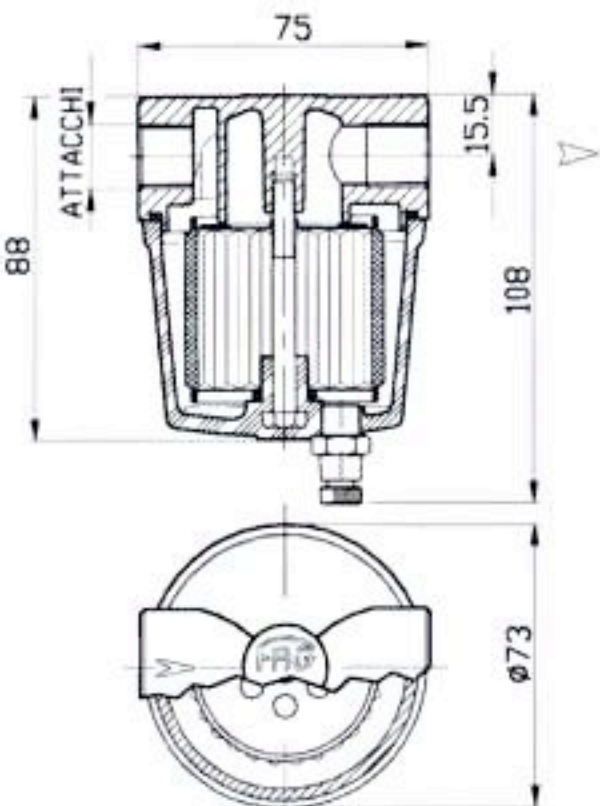
- Cartuccia filtrante in acciaio inox, filtrazione 100 μm - 44 μm
- Cartuccia filtrante in carta, filtrazione 15 μm
- Coperchio in alluminio EN AB 46100
- Vaschetta in alluminio EN AB 46100 o in materiale plastico trasparente TENITE BUTYRATE
- Tutti i filtri sono collaudati al 100%
- Filtri con vaschetta in plastica: pressione max di lavoro 1 bar
- Filtri con vaschetta in alluminio: pressione max di lavoro 2 bar

DIESEL OIL FILTERS

series **20200**

- Stainless steel mesh filter cartridge, 100 μm - 44 μm filtration grade
- Paper filter cartridge, 15 μm filtration grade
- Cover made of aluminium EN AB 46100
- Bowl made of aluminium EN AB 46100 or plastic material TENITE BUTYRATE
- All filters are tested for tightness
- Filters with plastic bowl: max. operating pressure 1 bar
- Filters with aluminium bowl: max. operating pressure 2 bar

ARTICOLO - ARTICLE		ATTACCHI CONNECTIONS	CARTUCCIA FILTRANTE FILTER CARTRIDGE	TIPO - SUPERF. FILTRANTE TYPE - FILTERING SURFACE
VASC. ALLUMINIO	VASC. PLASTICA			
20201/AL	20201/PL	3/8" - 3/8"	20201/C1 100 μm	INOX GRECATA - cm ² 105
20202/AL	20202/PL	1/2" - 1/2"		
20201AL4	20201PL4	3/8" - 3/8"	20201/C4 44 μm	INOX GRECATA - cm ² 105
20202AL4	20202PL4	1/2" - 1/2"		
20201CAL	20201CPL	3/8" - 3/8"	20201CC5 15 μm	CARTA ONDULATA - cm ² 235
20202CAL	20202CPL	1/2" - 1/2"		



FILTRI PER GASOLIO CON VALVOLA DI SPURGO

serie **20210**

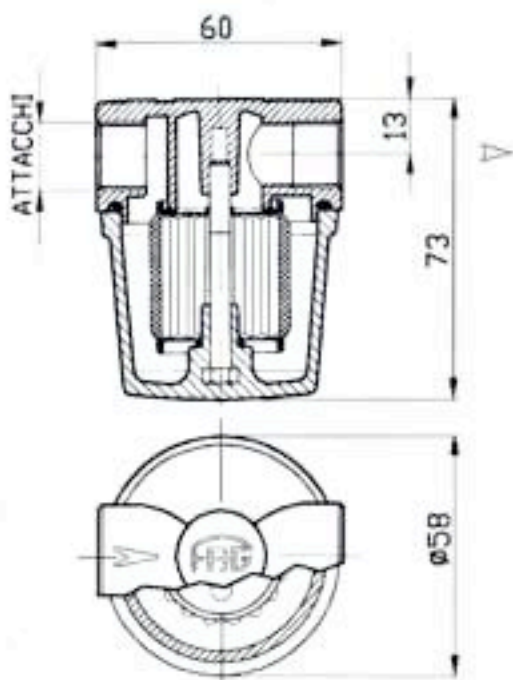
- Cartuccia filtrante in acciaio inox, filtrazione 100 μm - 44 μm
- Cartuccia filtrante in carta, filtrazione 15 μm
- Coperchio in alluminio EN AB 46100
- Vaschetta in alluminio EN AB 46100 o in materiale plastico trasparente TENITE BUTYRATE
- Tutti i filtri sono collaudati al 100%
- Filtri con vaschetta in plastica: pressione max di lavoro 1 bar

DIESEL OIL FILTERS WITH WATER DRAIN VALVE

series **20210**

- Stainless steel mesh filter cartridge, 100 μm - 44 μm filtration grade
- Paper filter cartridge, 15 μm filtration grade
- Cover made of aluminium EN 46100
- Bowl made of aluminium EN 46100 or plastic material TENITE BUTYRATE
- All filters are tested for tightness
- Filters with plastic bowl: max. operating pressure 1 bar

ARTICOLO - ARTICLE VASC. PLASTICA	ATTACCHI CONNECTIONS	CARTUCCIA FILTRANTE FILTER CARTRIDGE	TIPO - SUPERF. FILTRANTE TYPE - FILTERING SURFACE
20211/PL	3/8" - 3/8"	20201/C1 100 μm	INOX GRECATA - cm ² 105
20212/PL	1/2" - 1/2"		
20211PL4	3/8" - 3/8"	20201/C4 44 μm	INOX GRECATA - cm ² 105
20212PL4	1/2" - 1/2"		
20211CPL	3/8" - 3/8"	20201CC5 15 μm	CARTA ONDULATA - cm ² 235
20212CPL	1/2" - 1/2"		



FILTRI PER GASOLIO serie 20100 - 20150

- Cartuccia filtrante in acciaio inox, filtrazione 100 μm - 44 μm
- Cartuccia filtrante in carta, filtrazione 15 μm
- Coperchio in alluminio EN AB 46100
- Vaschetta in alluminio EN AB 46100, o in materiale plastico trasparente TENITE BUTYRATE e/o METOCENE
- Tutti i filtri sono collaudati al 100%
- Filtri con vaschetta in plastica: pressione max di lavoro 1 bar
- Filtri con vaschetta in alluminio: pressione max di lavoro 2 bar

DIESEL OIL FILTERS series 20100 - 20150

- Stainless steel mesh filter cartridge, 100 μm - 44 μm filtration grade
- Paper filter cartridge, 15 μm filtration grade
- Cover made of aluminium EN AB 46100
- Bowl made of aluminium EN AB 46100 or plastic material TENITE BUTYRATE or METOCENE
- All filters are tested for tightness
- Filters with plastic bowl: max. operating pressure 1 bar
- Filters with aluminium bowl: max. operating pressure 2 bar

ARTICOLO - ARTICLE			ATTACCHI CONNECTIONS	CARTUCCIA FILTRANTE FILTER CARTRIDGE	TIPO - SUPERF. FILTRANTE TYPE - FILTERING SURFACE
VASC. ALLUMINIO	VASC. PL.TENITE	VASC. METOCENE			
20101/AL	20101/PL	20101/PE	3/8" - 3/8"	20101/C1 100 μm	INOX GRECATA - cm ² 48
20103/AL	20103/PL	20103/PE	1/4" - 1/4"		
20101AL4	20101PL4	-----	3/8" - 3/8"	20101/C4 44 μm	INOX GRECATA - cm ² 48
20103AL4	20103PL4	-----	1/4" - 1/4"		
20101CAL	20101CPL	20101CPE	3/8" - 3/8"	20101CC5 15 μm	CART.ONDUL - cm ² 228
20103CAL	20103CPL	20103CPE	1/4" - 1/4"		
20151/AL	20151/PL	20151/PE	3/8" - 3/8"	20151/C1 100 μm	INOX LISCIA - cm ² 24
20153/AL	20153/PL	20153/PE	1/4" - 1/4"		